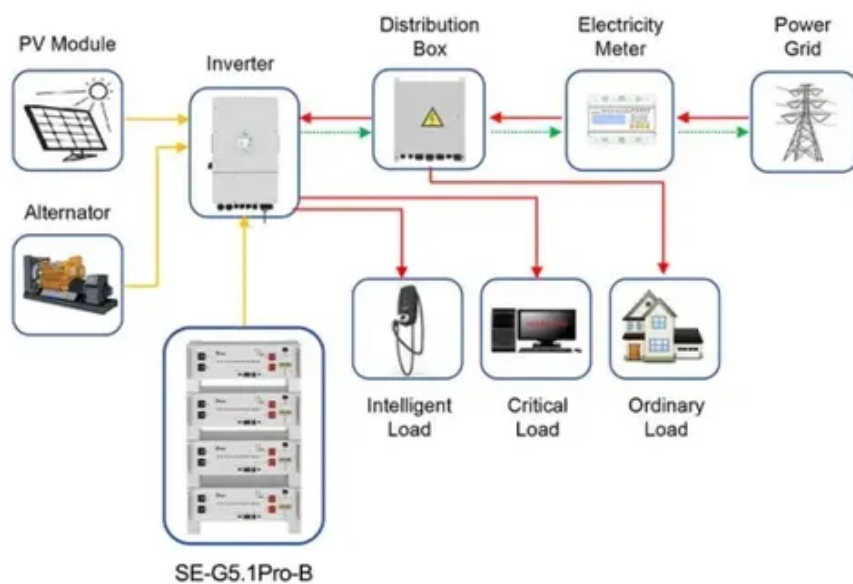




Central enterprises hold controlling stakes in energy storage and photovoltaic



Application scenarios of energy storage battery products





Overview

China's energy storage sector is booming, and central enterprises are at the forefront of deploying cutting-edge solutions. This article explores which state-owned giants dominate the industry, their capabilities, and how they address global energy challenges. But here's the kicker - 57% of newly announced projects got postponed last quarter due to market saturation [1] [4]. So why are these deep-pocketed. You've probably heard the industry buzz - central enterprises like State Power Investment Corporation (SPIC) are suddenly selling photovoltaic assets faster than melting ice cream in July. But what's really driving this strategic U-turn in China's renewable energy sector?

Let's peel back the layer. After more than ten years of development, my country's photovoltaic industry has grown into a strategic emerging industry that can simultaneously participate in international competition and reach the international leading level.



Central enterprises hold controlling stakes in energy storage and photovoltaic



[Central Enterprises' Reform in Energy Storage: Key Trends and ...](#)

Ever wondered why China's state-owned giants like China Shenhua and SPIC keep popping up in energy storage news? The answer lies in their game-changing reforms to meet the ...

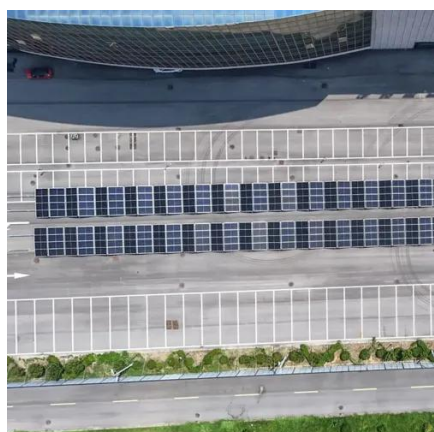
[How Central Enterprises Are Reshaping Energy Storage: Strategic ...](#)

But through vertical control and policy alignment, central enterprises keep turning challenges into moats. As market consolidation accelerates, their integrated approach might just blueprint the future of ...



[Solar Photovoltaic Panels for Central Enterprises Driving Large-Scale](#)

Summary: Explore how central enterprises are leveraging solar photovoltaic panels to achieve energy efficiency, reduce operational costs, and meet sustainability goals.



[Seven major construction central enterprises battle the photovoltaic](#)

In September 2021, a consortium formed by Energy China International Corporation, Zambia Western Electric Power Company and Serengeti Energy Company won the bid for the Zambia green power ...



[Central Enterprises Powering Up: China's Energy Storage Sub ...](#)

Enter China's central enterprises, the unsung heroes building the backbone of the country's \$33 billion energy storage industry [1]. From mega battery farms to futuristic superconducting systems, these ...



[What are the central enterprises in energy storage? , NenPower](#)

The central enterprises in energy storage encompass various state-owned and private firms engaged in the development, production, and implementation of energy storage technologies.



[Which central enterprises invest in energy storage? , NenPower](#)

A wide array of central enterprises actively invest in energy storage technology, including large-scale state-owned enterprises, various investment arms, and research institutions.



[Why Central Enterprises Are Hitting the Brakes on Photovoltaic](#)



You've probably heard the industry buzz - central enterprises like State Power Investment Corporation (SPIC) are suddenly selling photovoltaic assets faster than melting ice cream in July. But what's ...



[Solar photovoltaic application central group mix to the new owners a](#)

For a listed company, the equity has nine lifeline %, namely have absolute control over a company, more than 51%, relative to control more than 34% for safety control (A veto), grain ...



[Top Central Enterprises Leading Energy Storage Projects in China](#)

China's energy storage sector is booming, and central enterprises are at the forefront of deploying cutting-edge solutions. This article explores which state-owned giants dominate the industry, their ...





Contact Us

For catalog requests, pricing, or partnerships, please visit:

<https://www.iwap.com.pl>

Phone: +34 919 456 782

Email: info@iwap.com.pl

Scan the QR code to access our WhatsApp.

