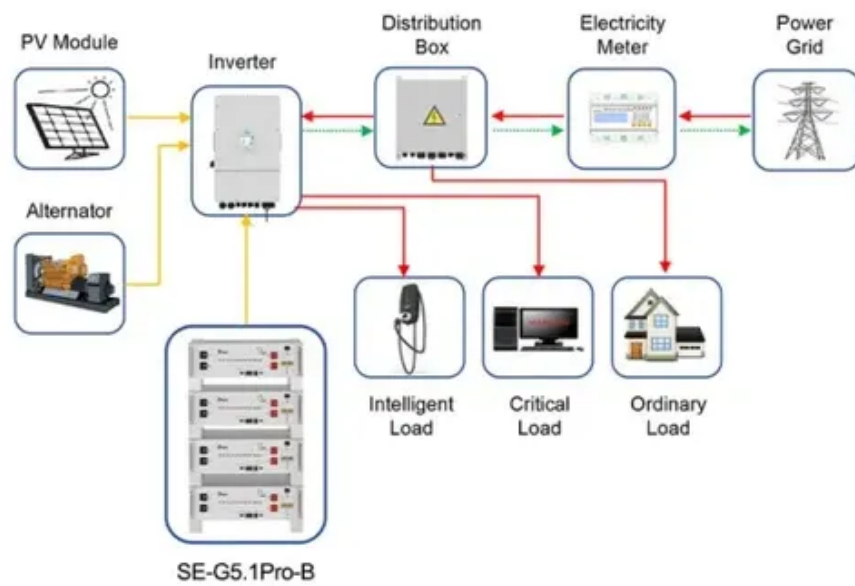




How big a solar panel should I use for 10 watts



Application scenarios of energy storage battery products





Overview

Adjust efficiency, panel wattage, battery autonomy, and DoD as needed. Click Calculate to see the results. An off-grid solar system's size depends on factors such as your daily energy consumption, local sunlight availability, chosen equipment, the appliances that you're trying to run, and system configuration. Below is a combination of multiple calculators that consider these variables and allow you to. Most homeowners need between 15-25 solar panels to power their entire home, but this number varies significantly based on your energy usage, location, and roof characteristics. If you're consuming 1,000 kWh per month in a sunny state like California, you might need just 16 panels, while the same. Size a PV system, estimate energy output, or find panel count from your usage, sun-hours, and performance ratio — with steps and units. The mode changes what you provide (e., daily vs monthly load, or target kW vs usage-based sizing). Here's a step-by-step overview of the process we follow when sizing solar systems for our customers.



How big a solar panel should I use for 10 watts



[Solar Size Calculator: Determine Your System's Dimensions](#)

Properly sizing your solar system ensures that you can reliably meet your energy needs, optimize efficiency, and achieve cost savings. Welcome to your guide on determining the right size for your ...

[How to Size a Solar System \[Step-by-Step Guide\]](#)

Once you have your final array size, simply divide by the wattage of your desired solar panels to figure out how many panels you need. Using our example of a 7.2 kW (7,200-watt) array for 100% offset, ...



Solar Panel Calculator , BatteryStuff

Calculate how many solar panels you need with this solar calculator. Great for estimating the solar panels needed for a solar array project.



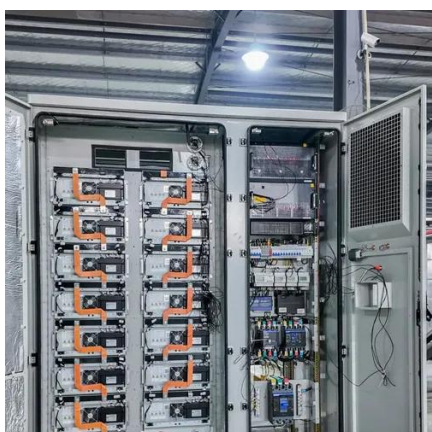
[The Complete Off Grid Solar System Sizing Calculator](#)

The calculator below considers your location and panel orientation, and uses historical weather data from The National Renewable Energy Laboratory to determine Peak Sun Hours ...



[Beginner's Guide: Sizing Your Off-Grid Solar System](#)

Learn how to accurately size your solar system with this comprehensive guide. Determine the panels, batteries, controller, and inverter required for your setup. Calculate load sizing, solar wattage, ...



Solar Panel Calculator for System Sizing

Use the calculator above to translate your energy needs into a right-sized solar array. This guide explains the equations, what each input means, and how to avoid the most common ...



[Solar Panel Size and Wattage Chart: Standard Sizes & Uses for Each](#)

Using a solar panel size chart can help you choose the best types of solar panels for your home or application. Because the size of a standard solar panel can vary, a chart that outlines the ...



[How Many Solar Panels Do I Need? 2025 Calculator , SolarTech](#)



How many solar panels do I need? Use our 2025 calculator to size your system by home size, kWh usage, and location. Get panel count, roof space, and kW--free from SolarTech.



[DIY Solar Calculator: Size Panels, Batteries & Inverter](#)

Find out how many solar panels, batteries, and inverter capacity you need for your off-grid solar system. Going solar doesn't have to be confusing. This free DIY solar calculator makes it ...

[How to Size Solar Panels for 10 kWh of Daily Energy Consumption](#)

Looking to size solar panels for daily energy consumption? Learn how to determine the number of panels needed for 10 kWh with our step-by-step guide!





Contact Us

For catalog requests, pricing, or partnerships, please visit:

<https://www.iwap.com.pl>

Phone: +34 919 456 782

Email: info@iwap.com.pl

Scan the QR code to access our WhatsApp.

